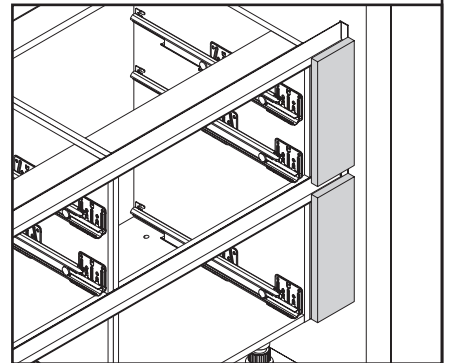
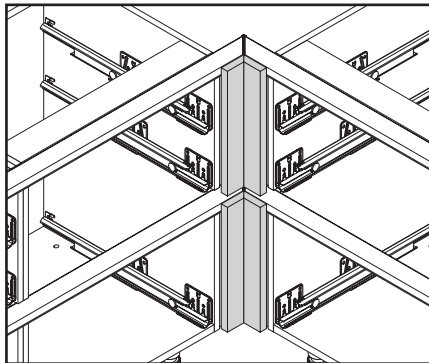
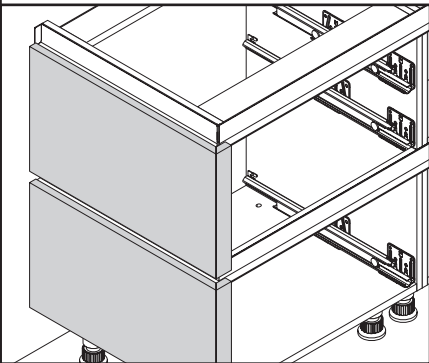
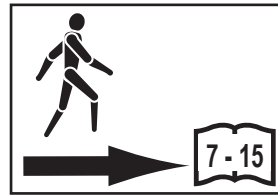
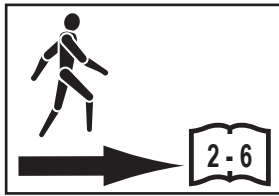
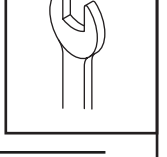
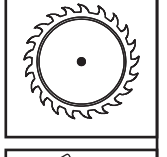
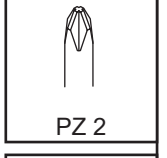
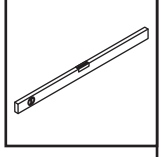
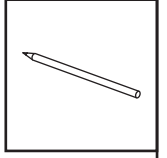
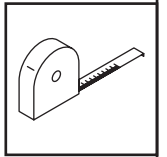
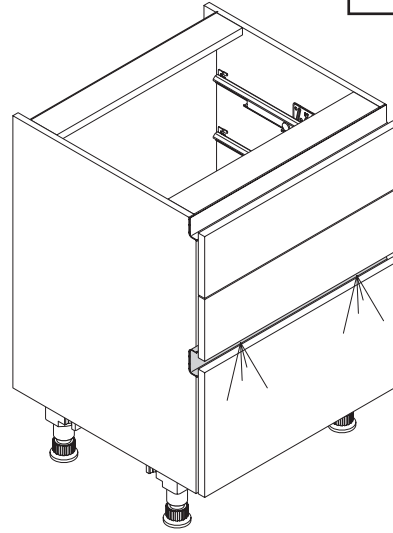
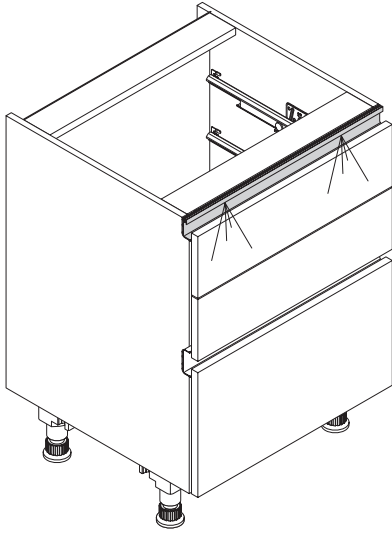
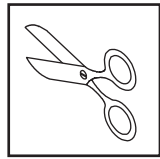
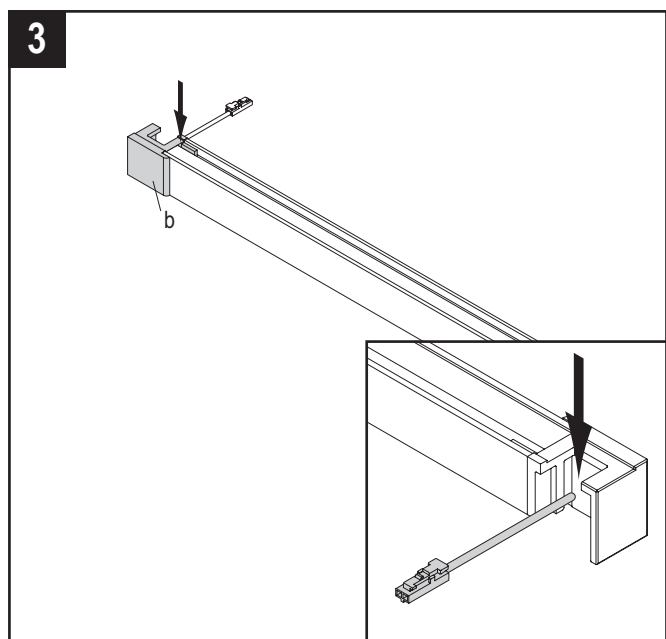
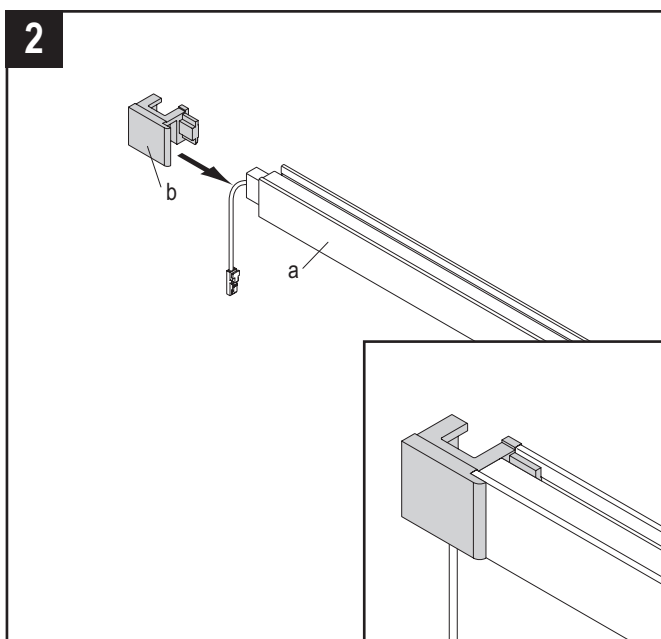
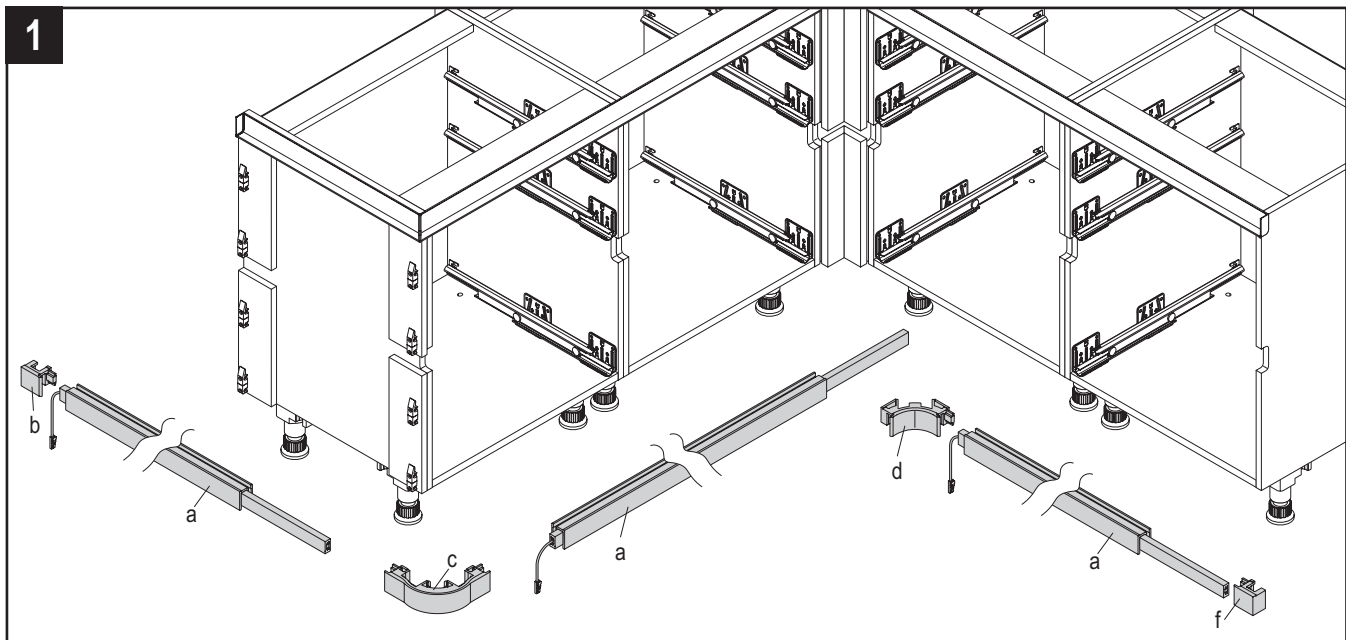
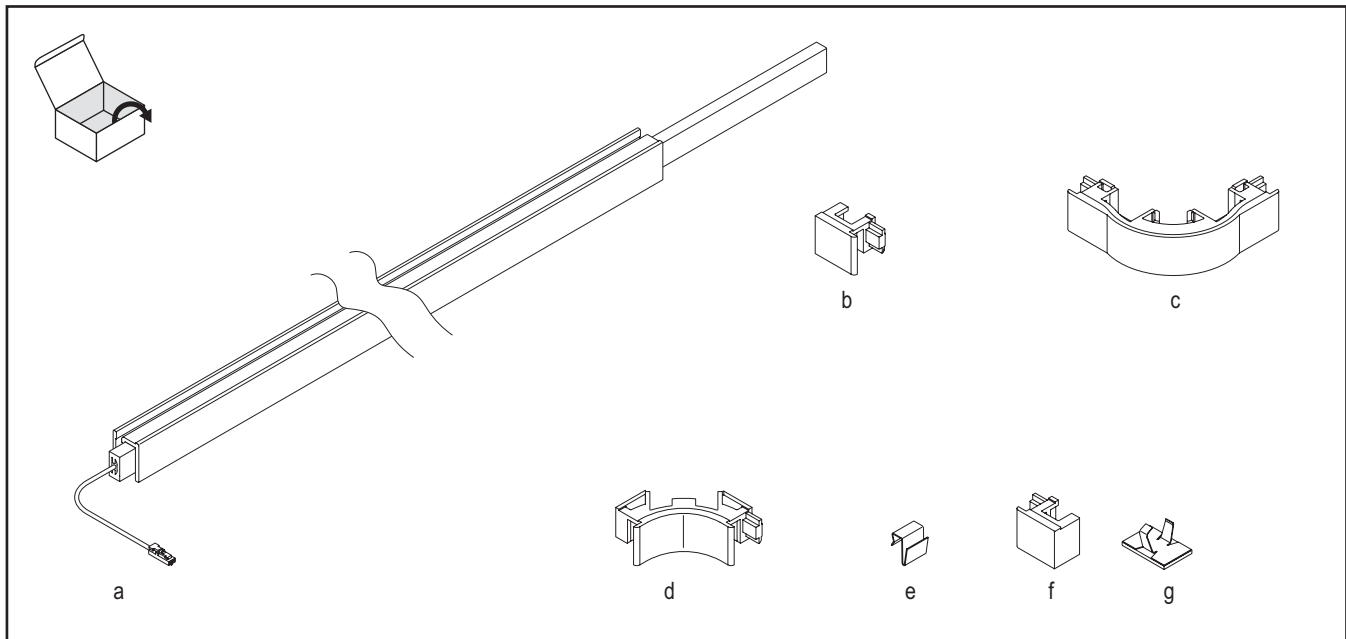


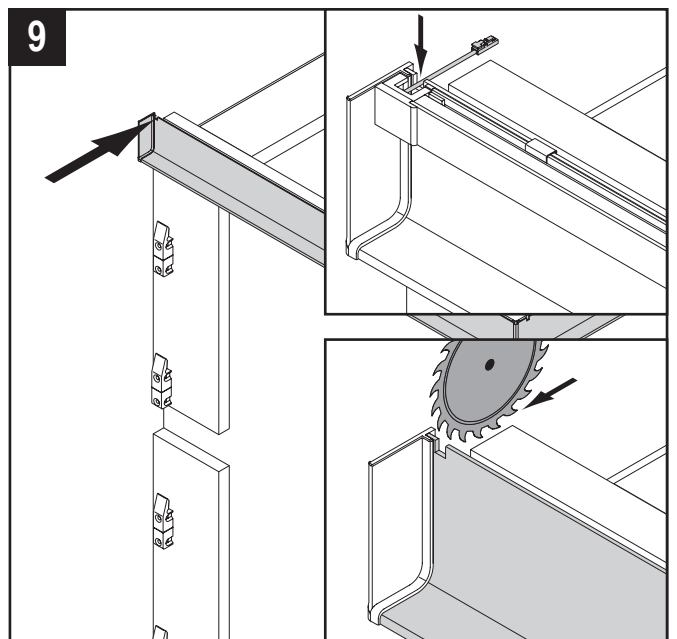
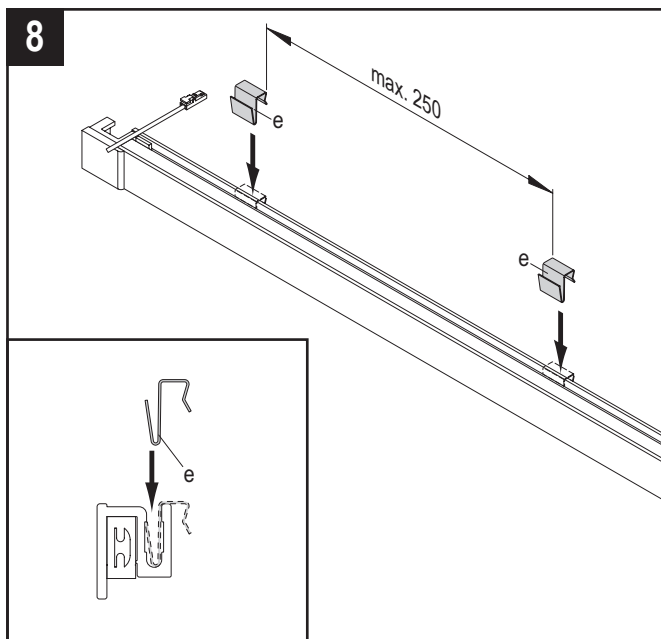
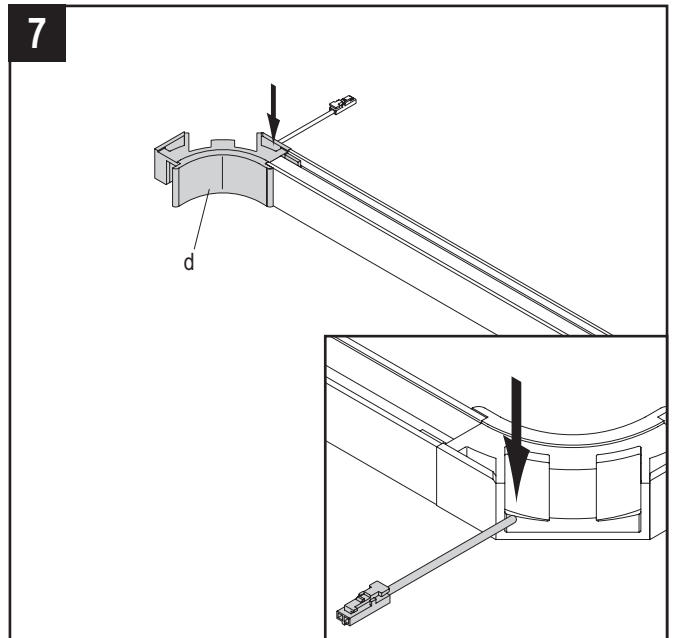
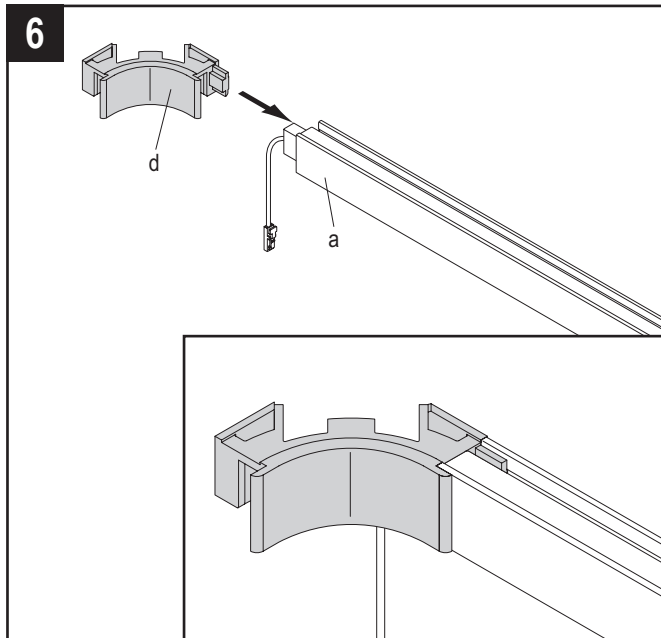
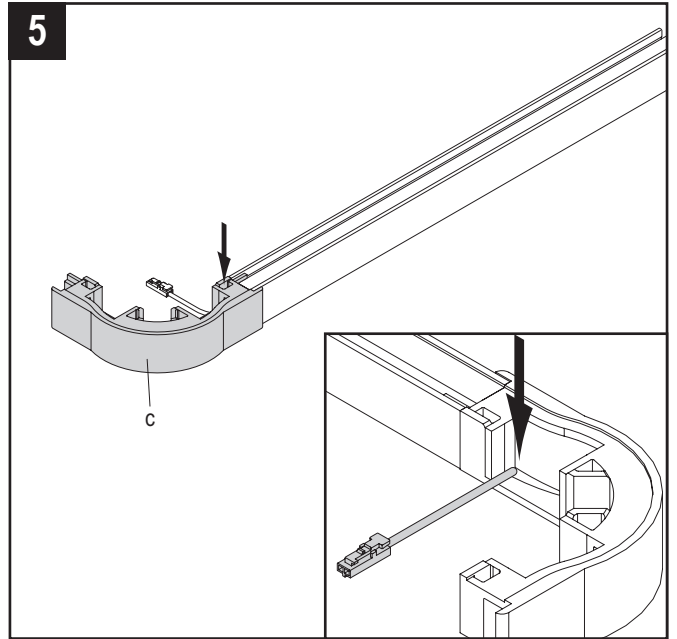
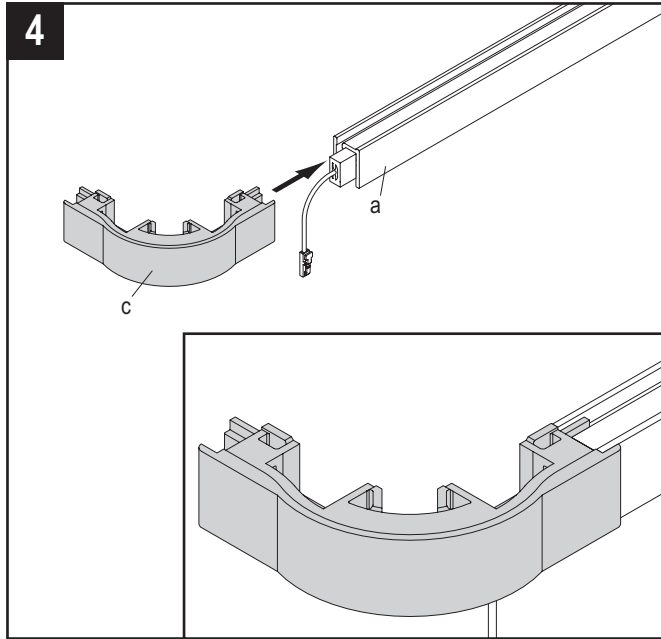
MP-NGML

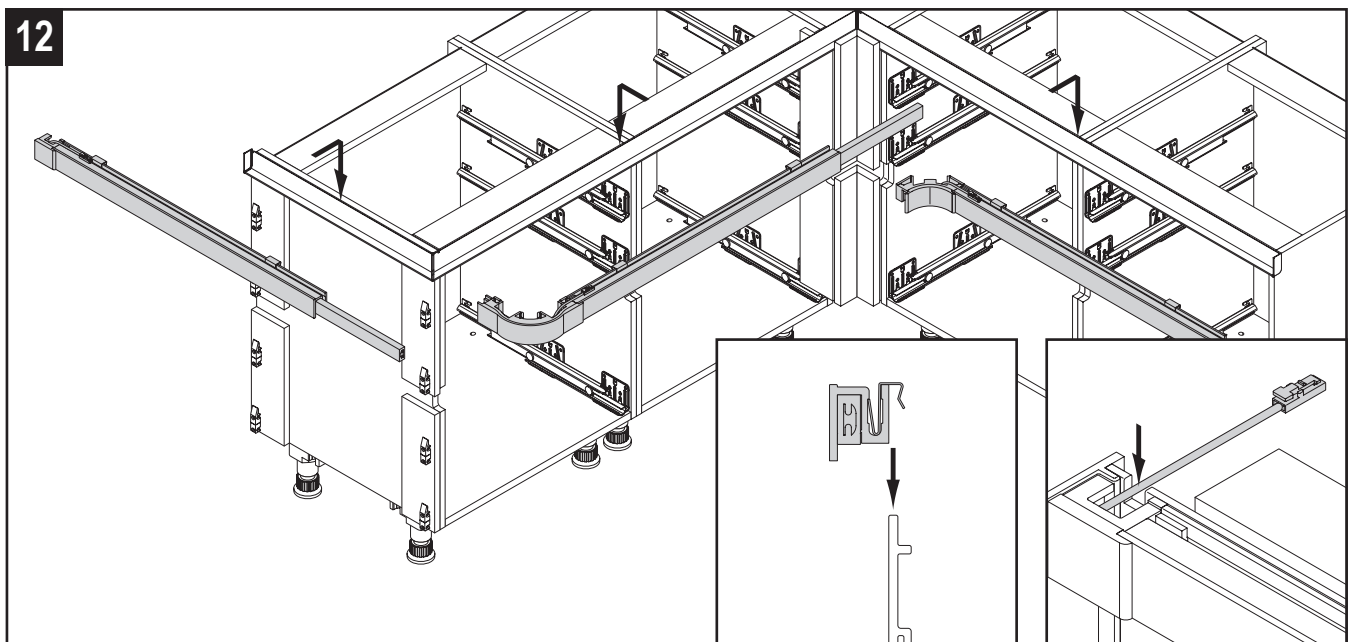
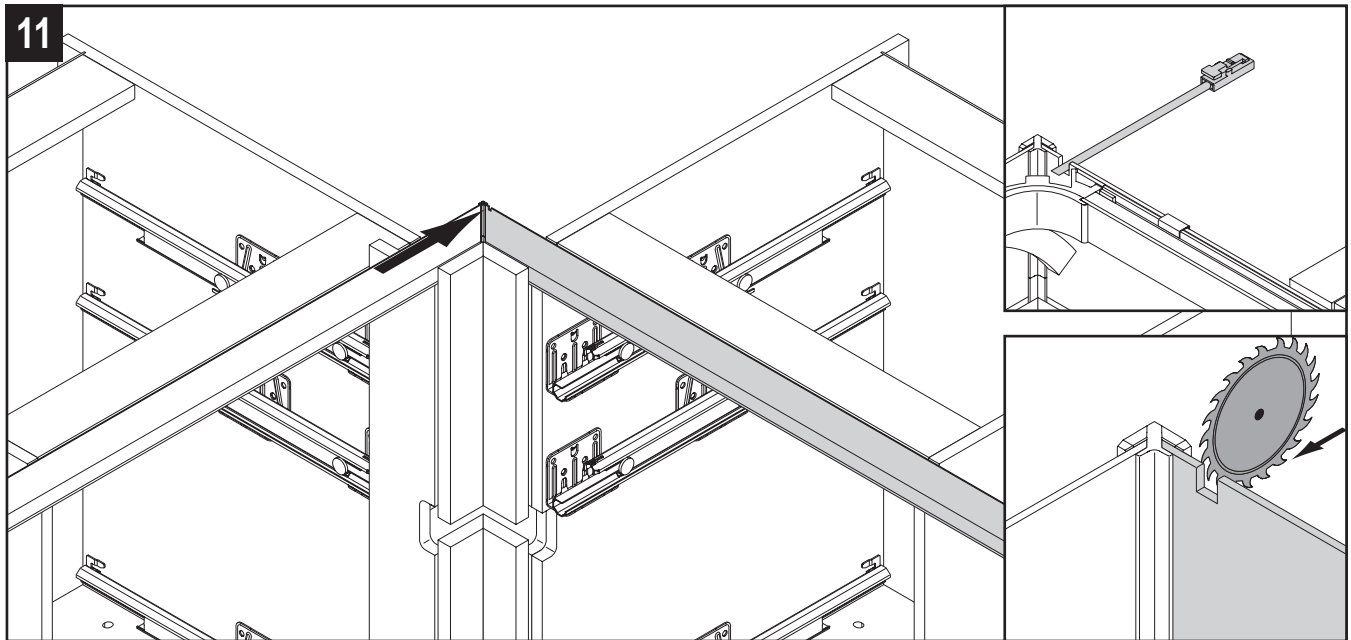
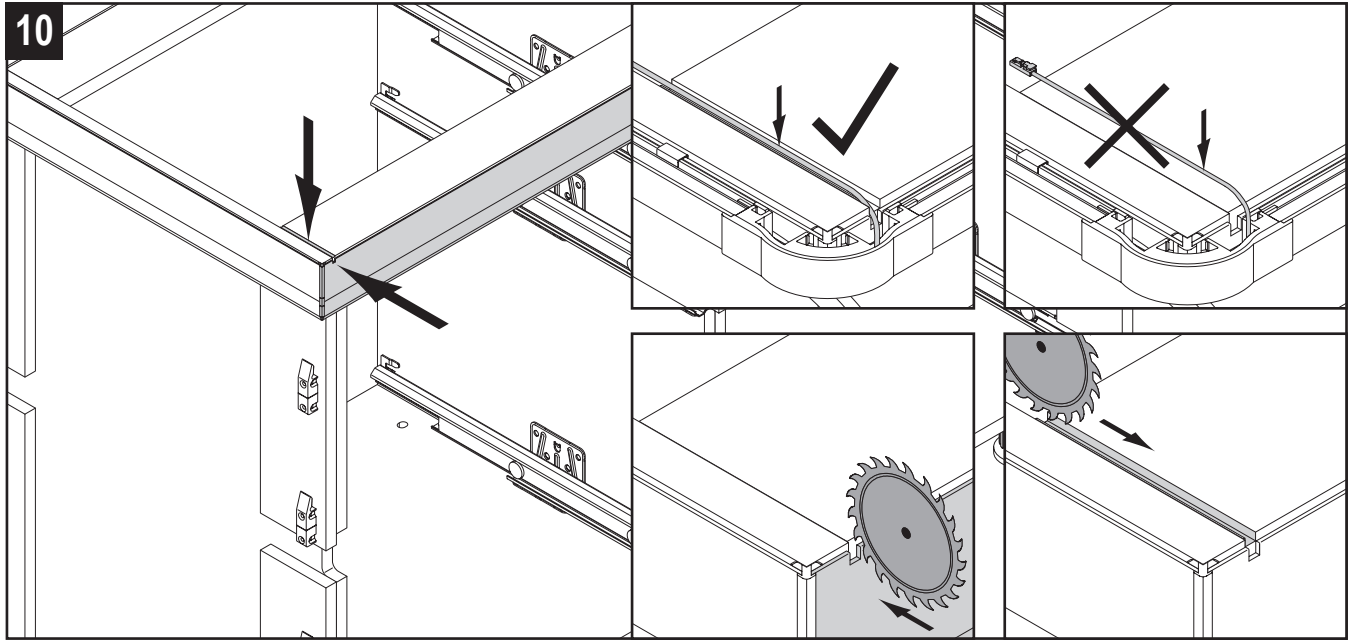
MP-NGMC

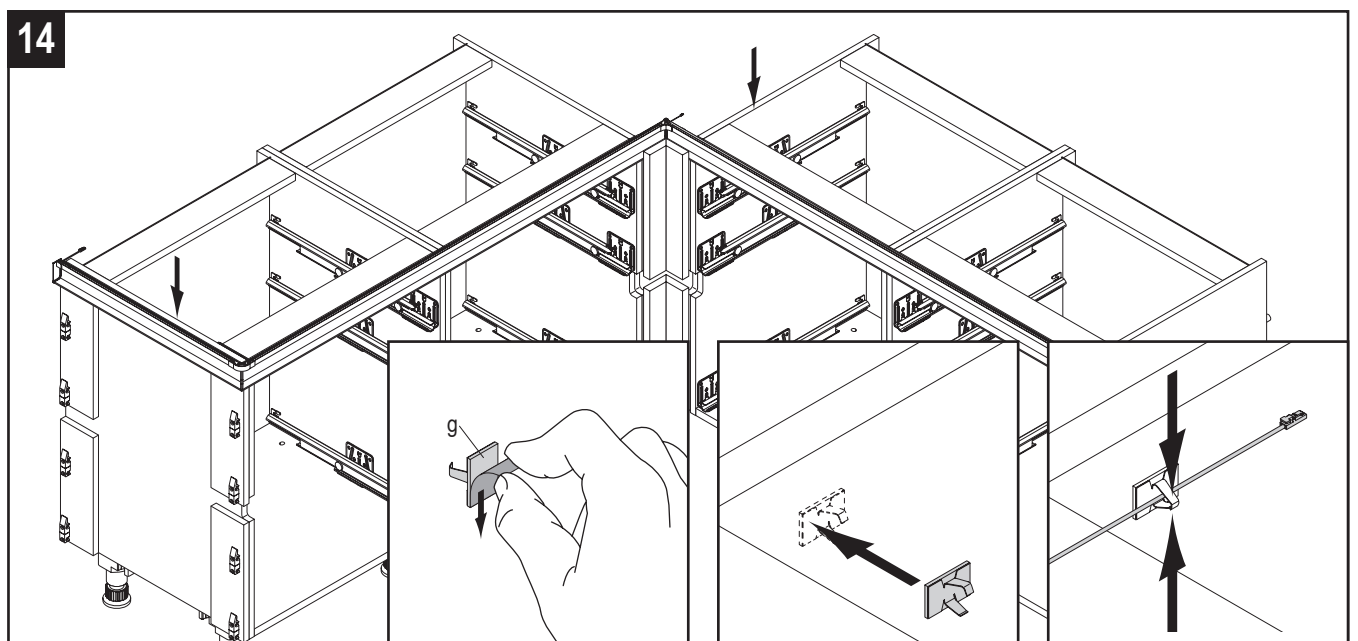
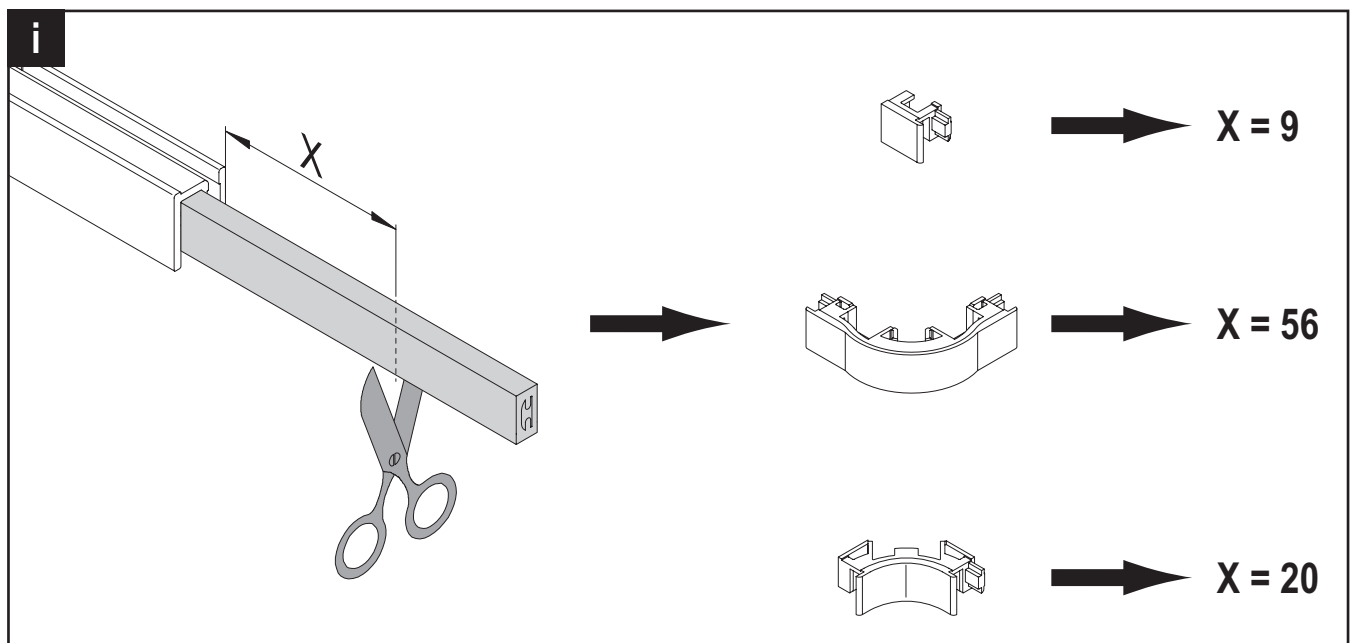
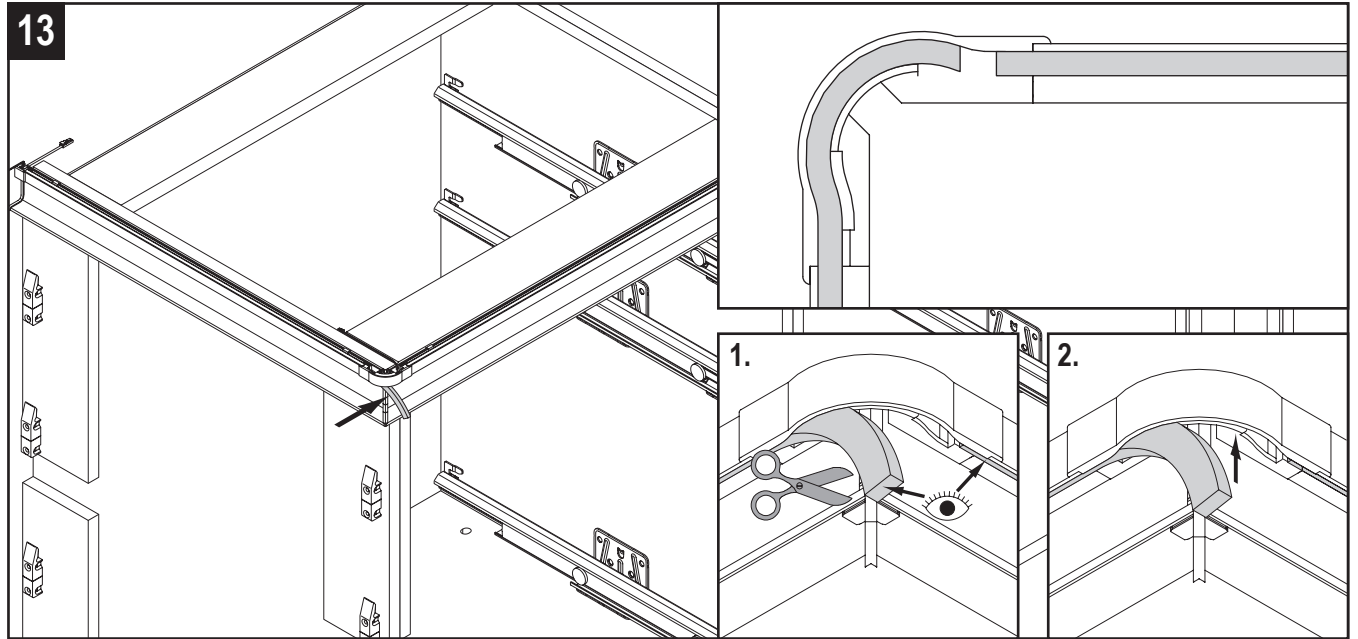


# MP-NGML

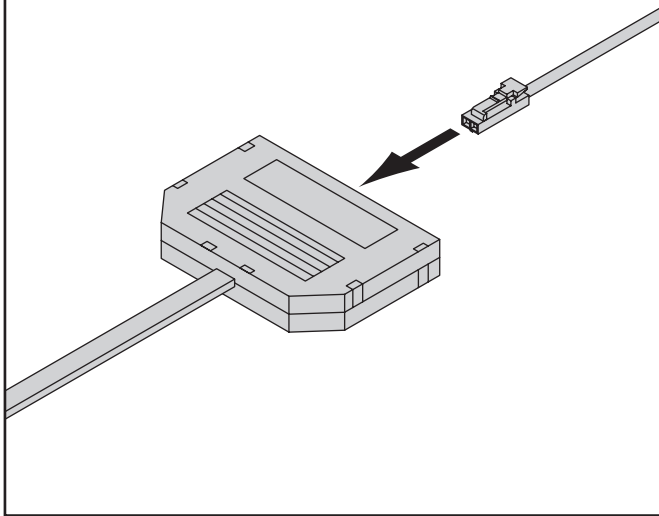




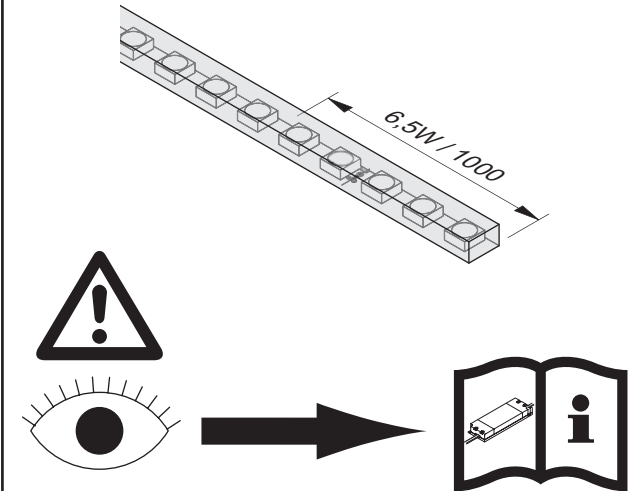




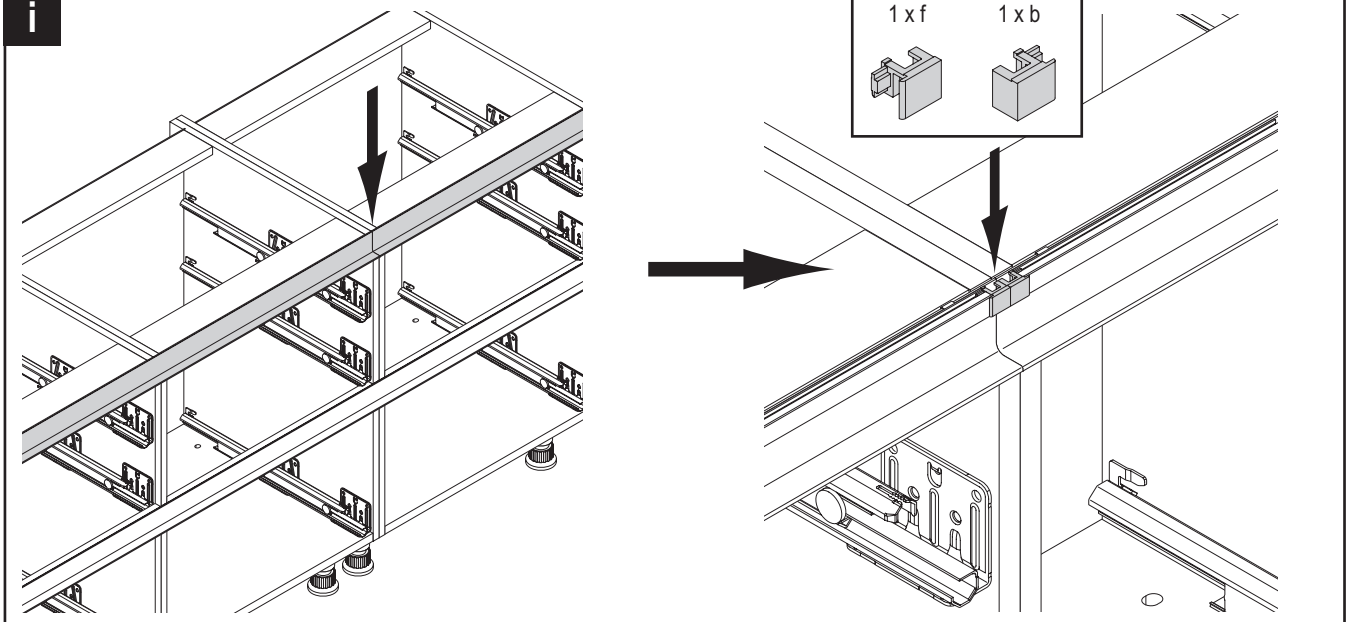
15



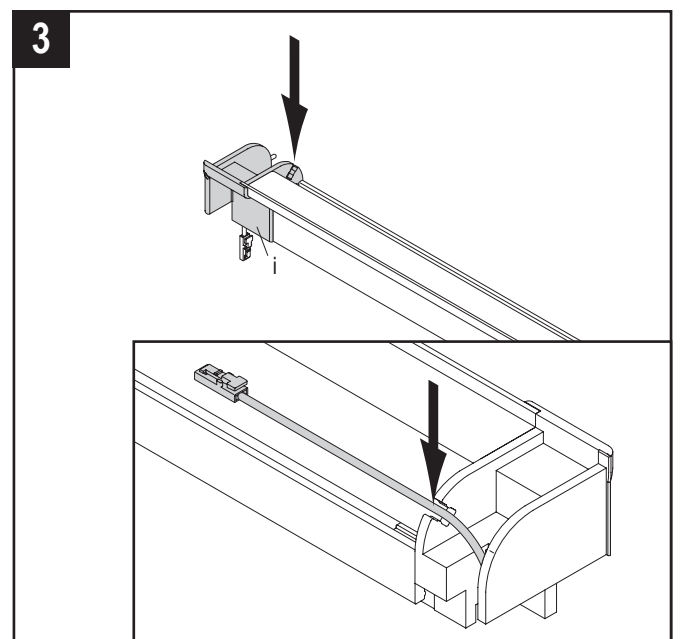
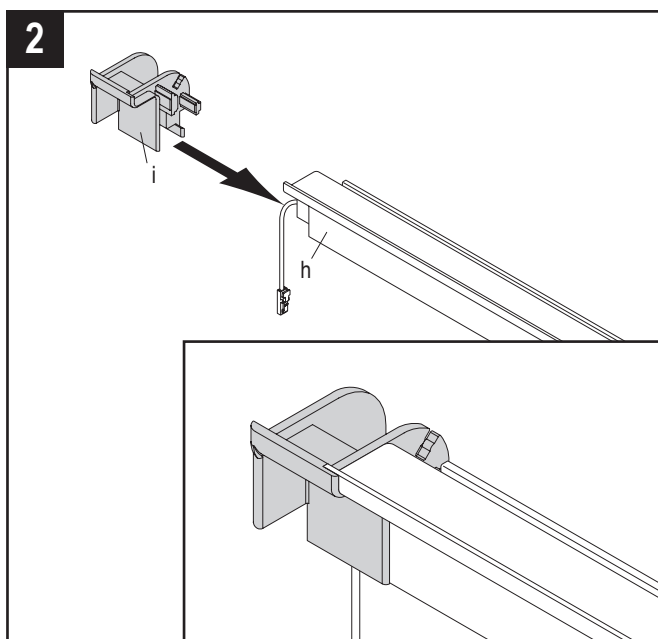
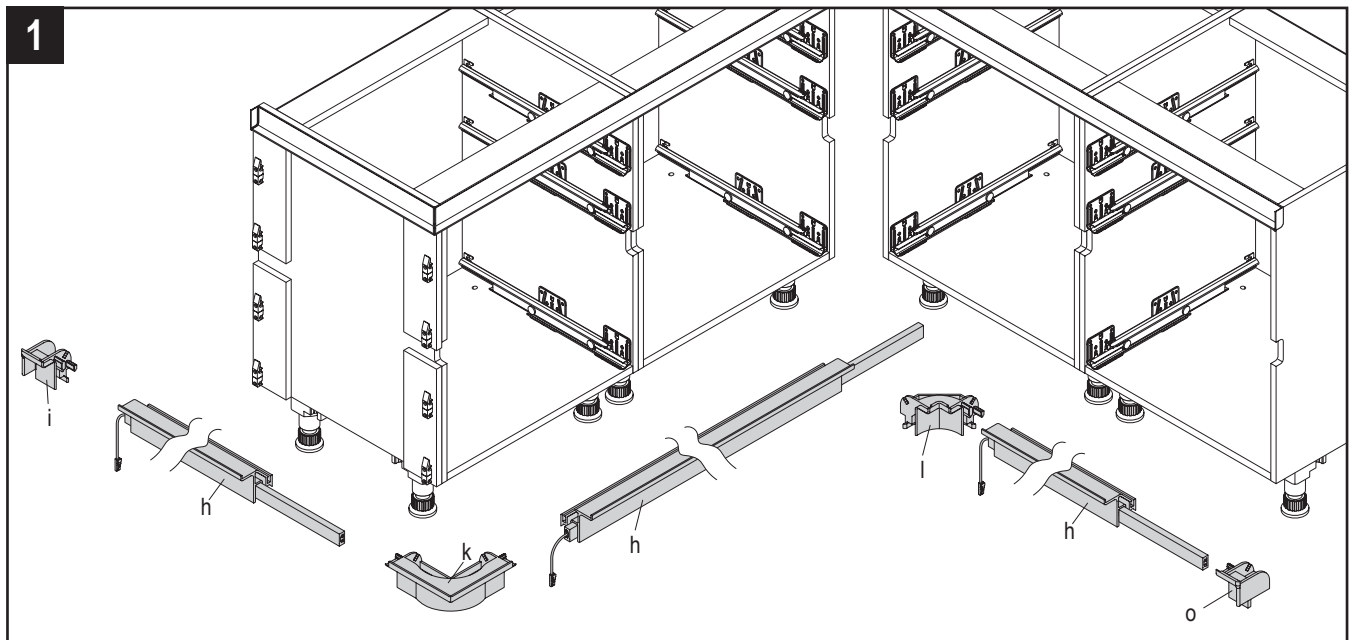
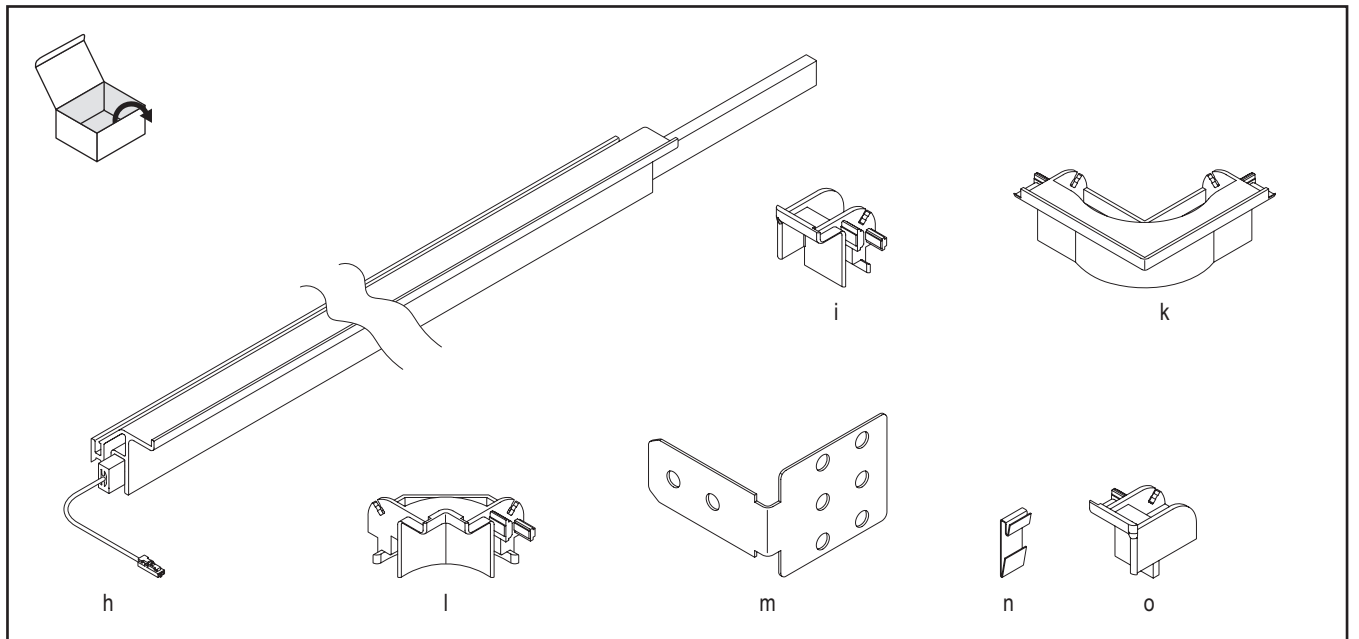
16

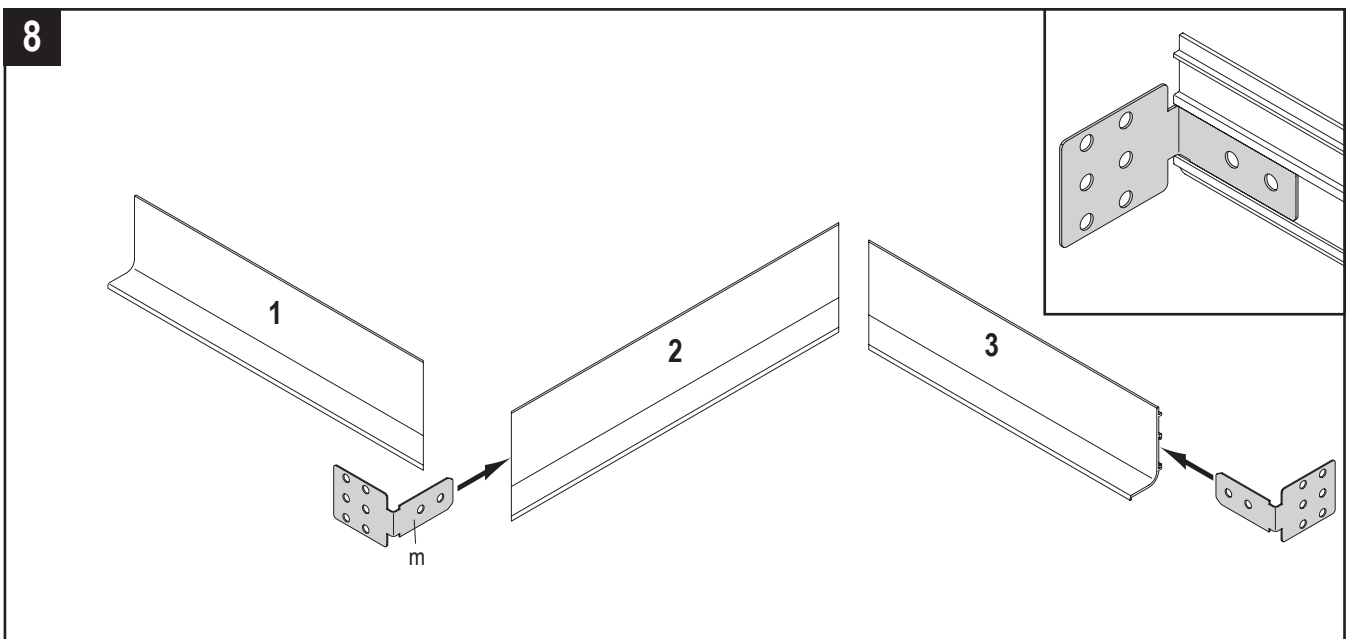
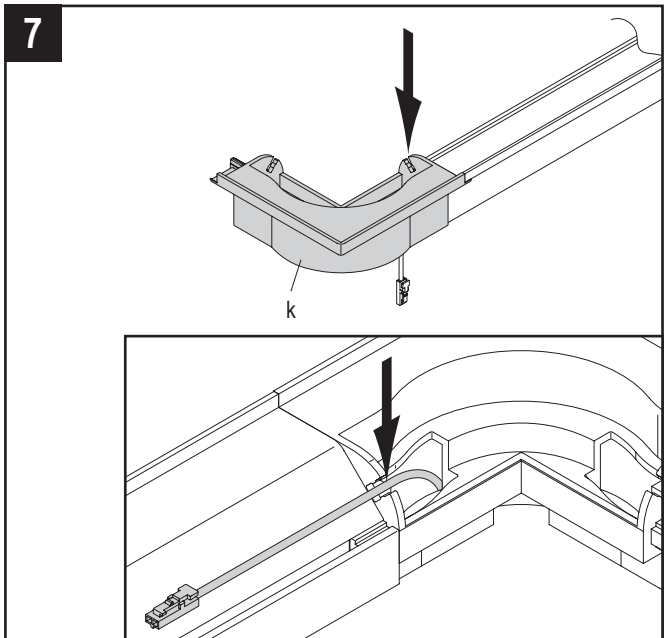
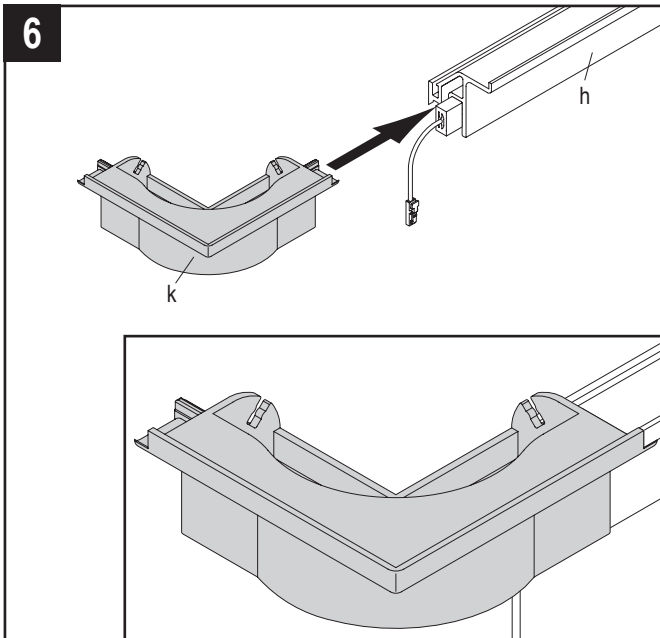
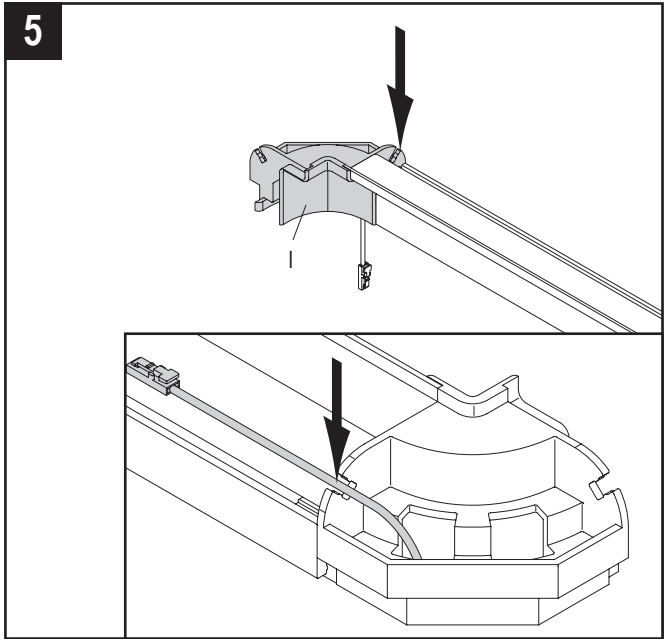
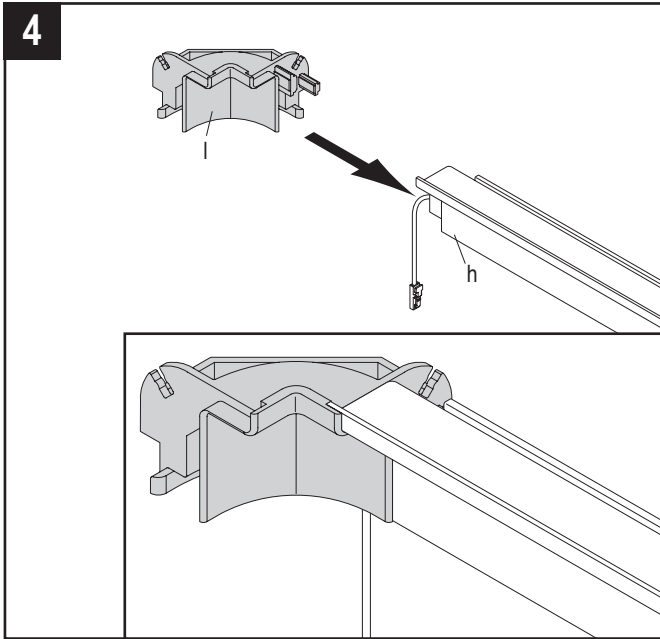


i

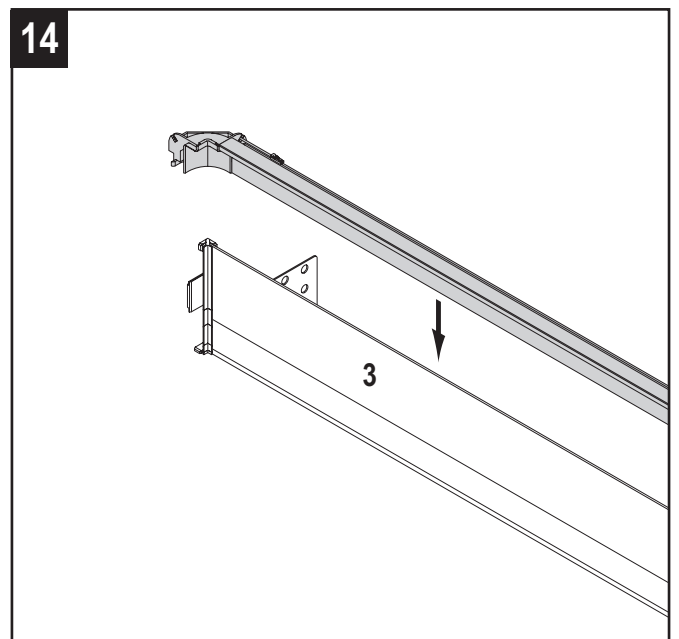
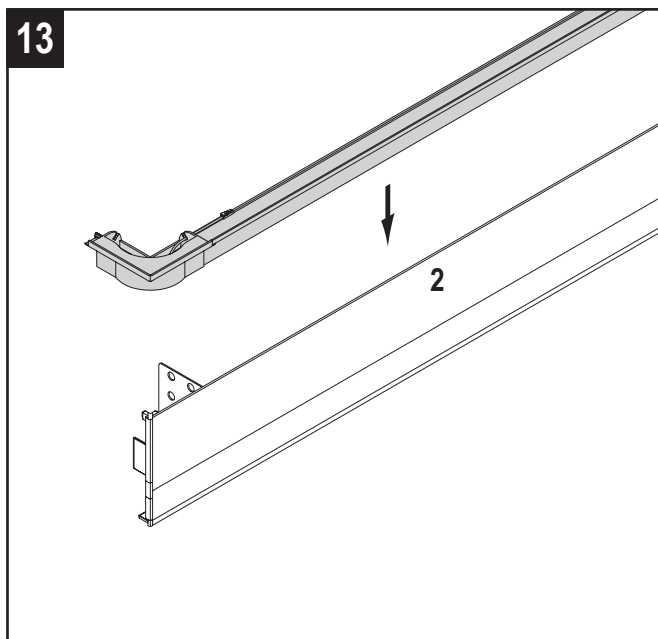
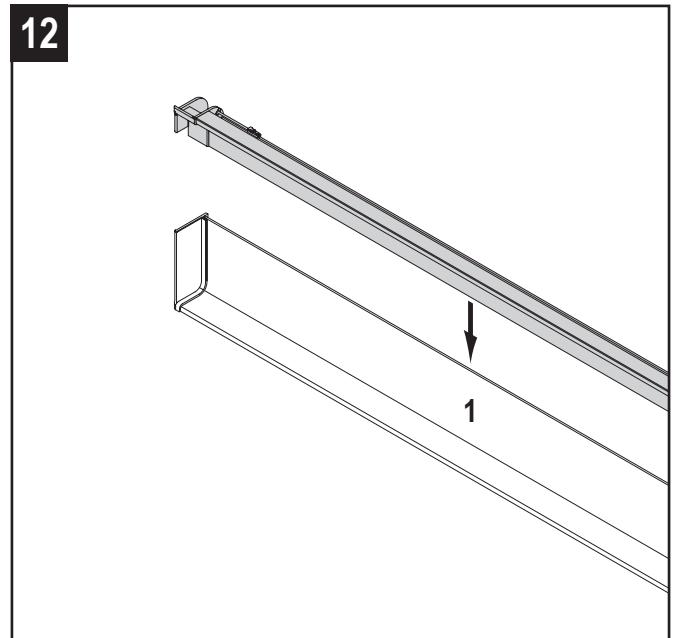
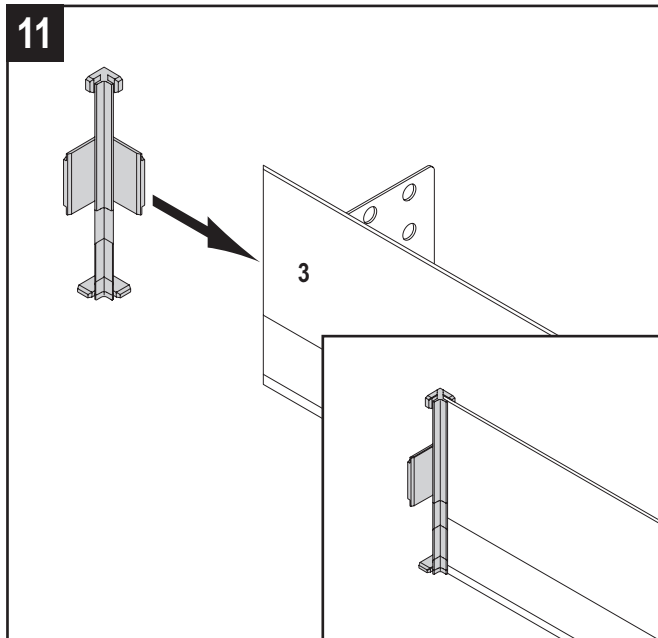
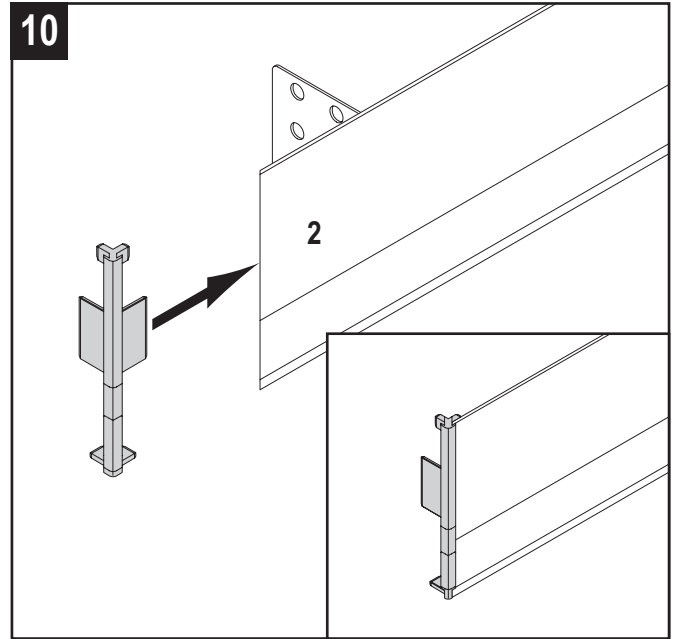
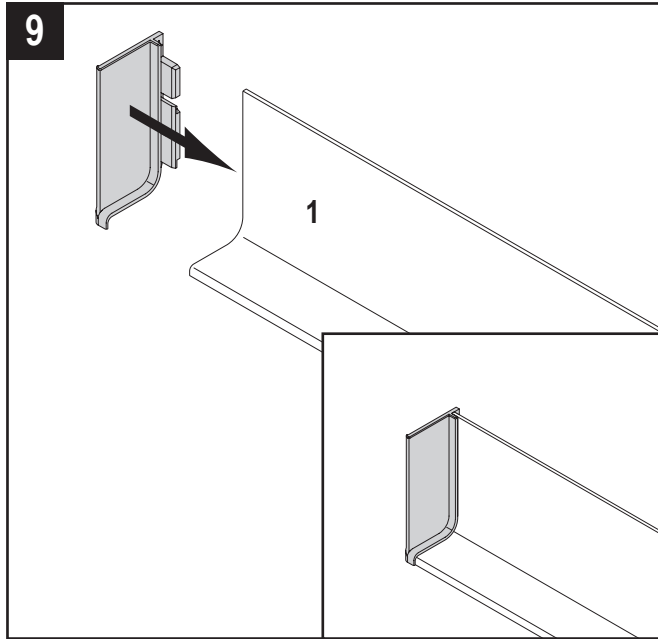


# MP-NGMC

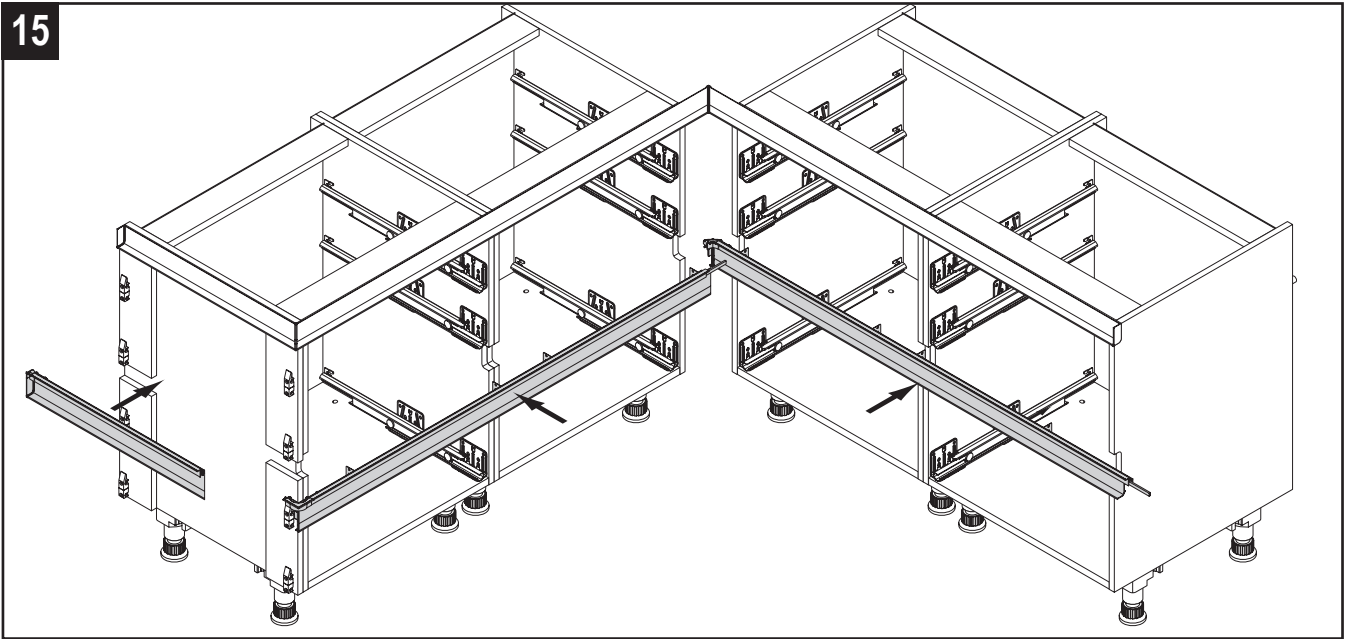




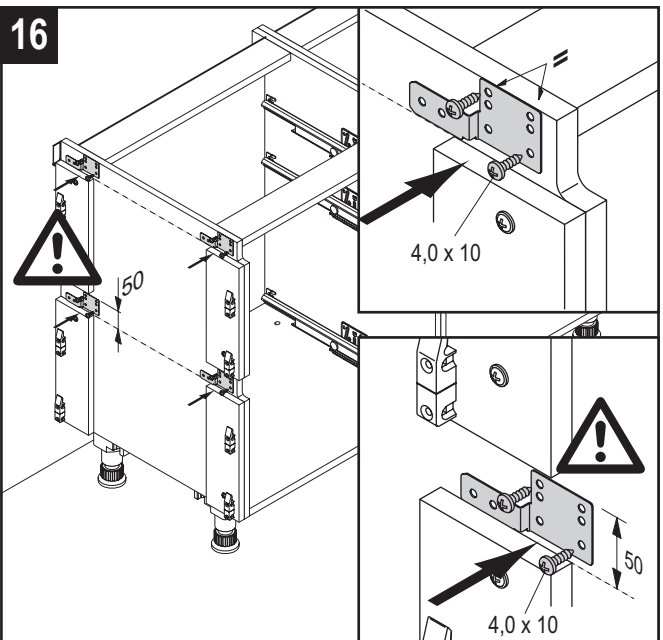
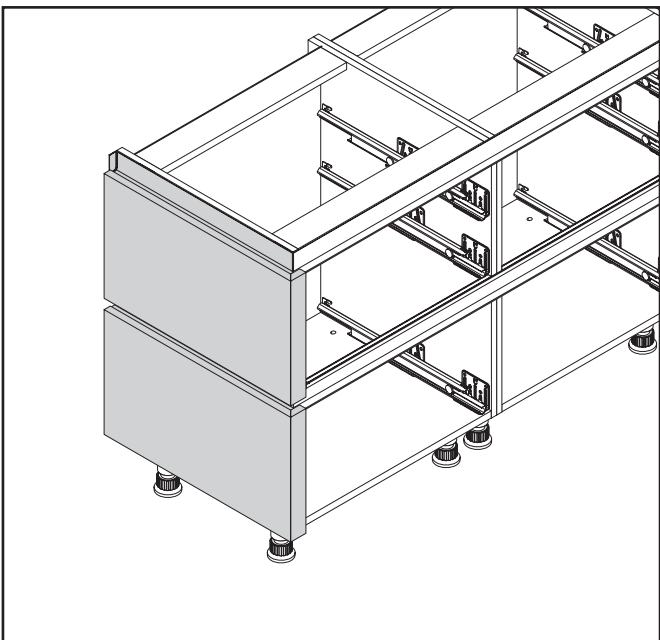
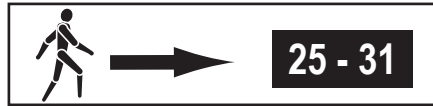
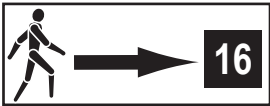
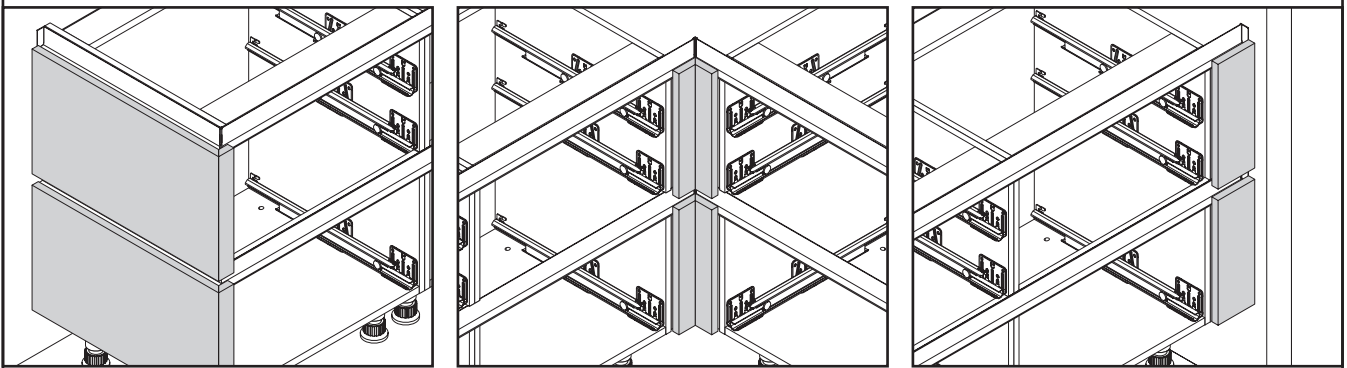


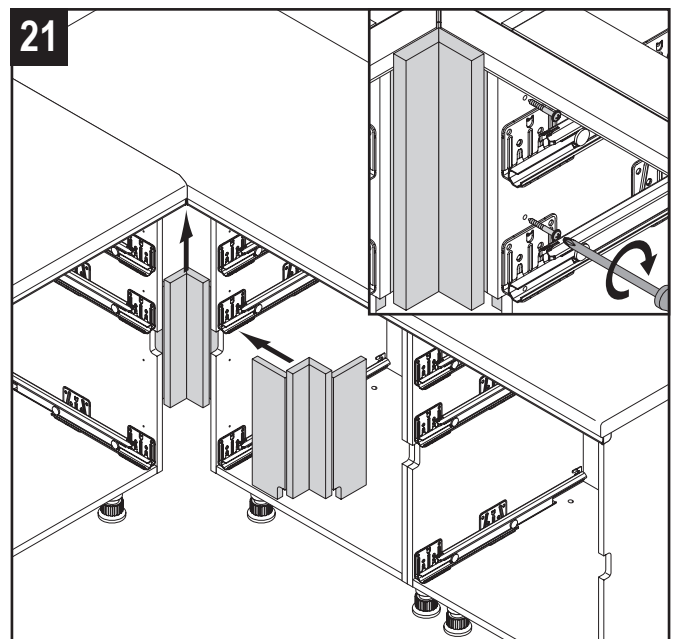
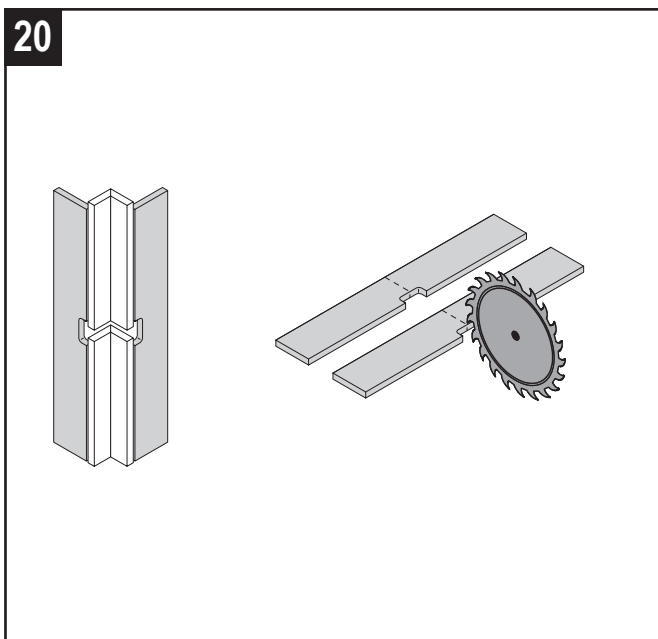
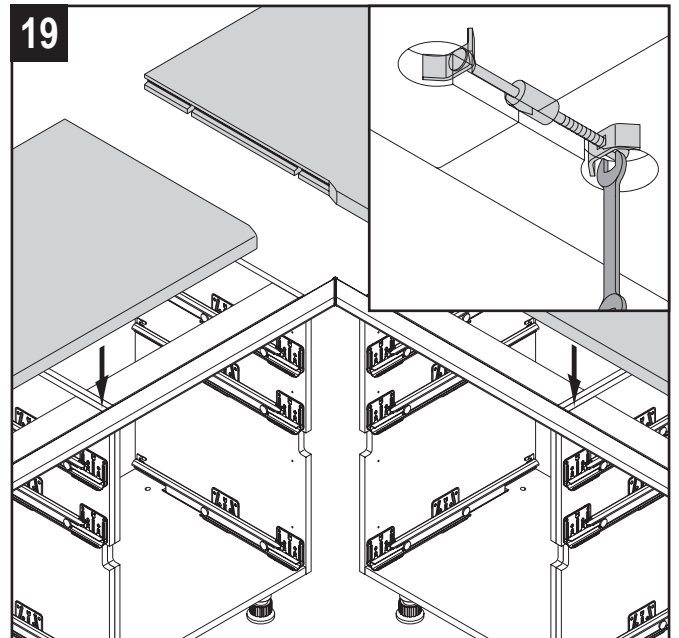
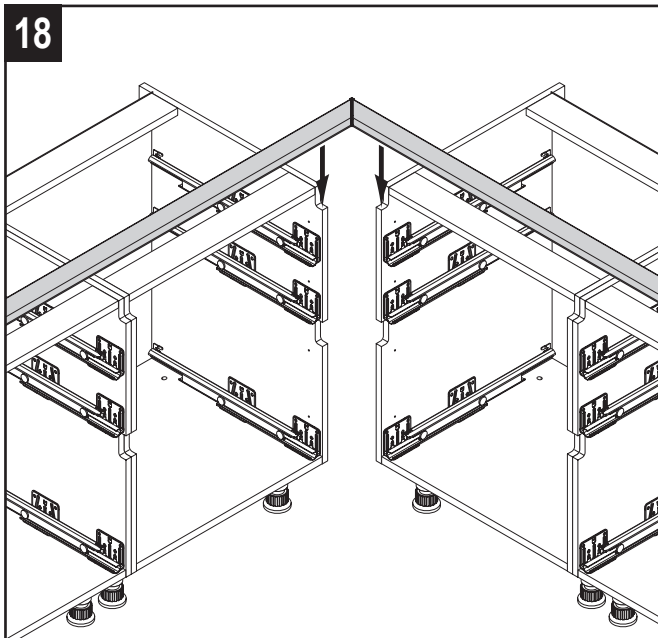
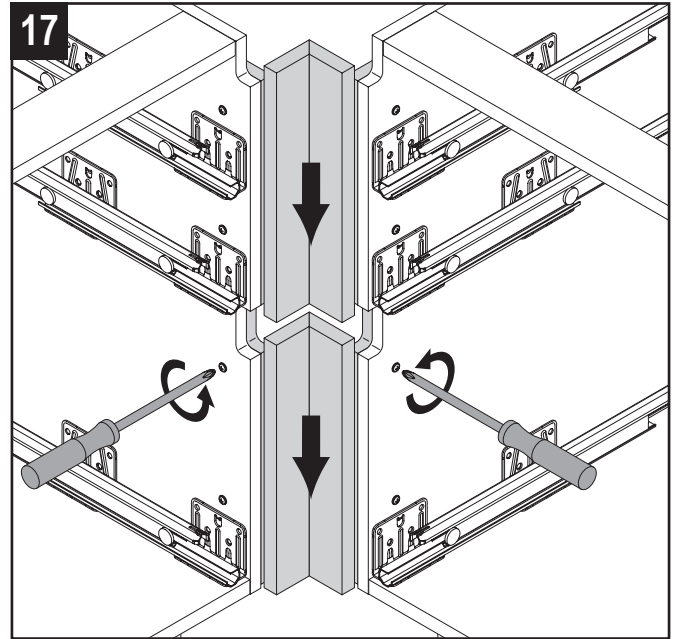
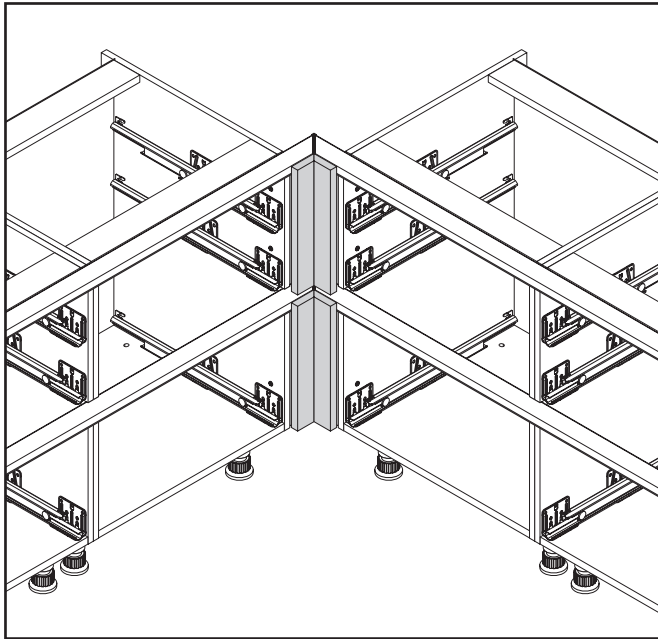


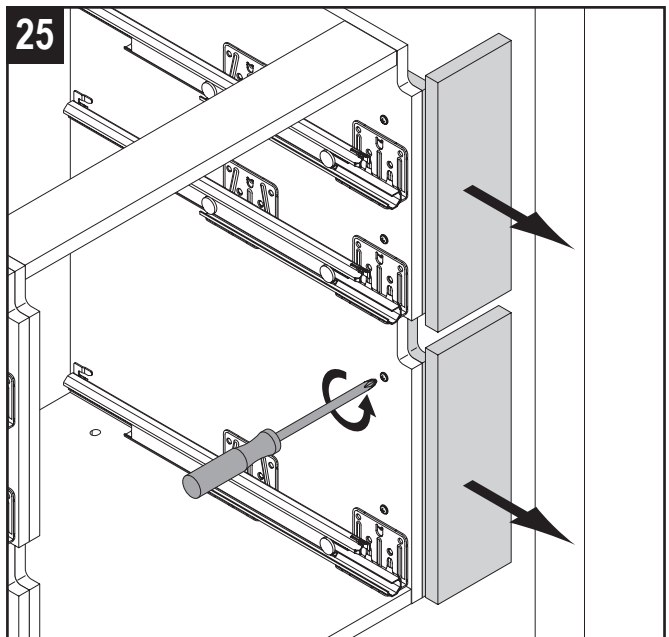
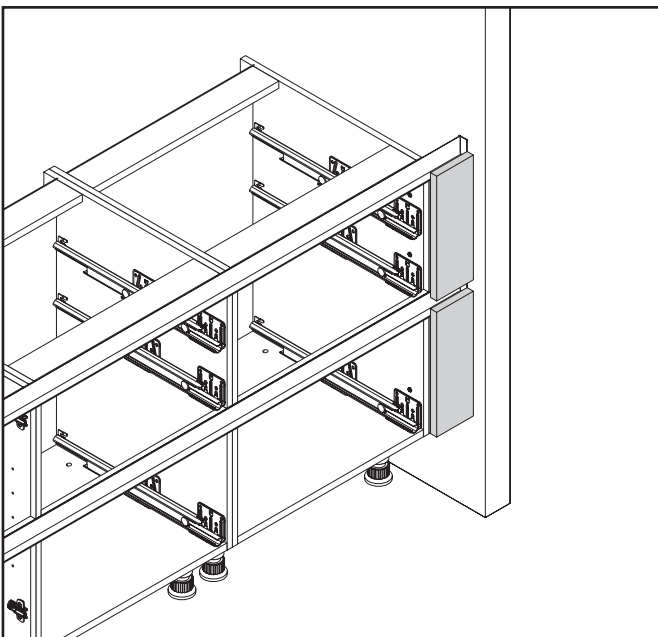
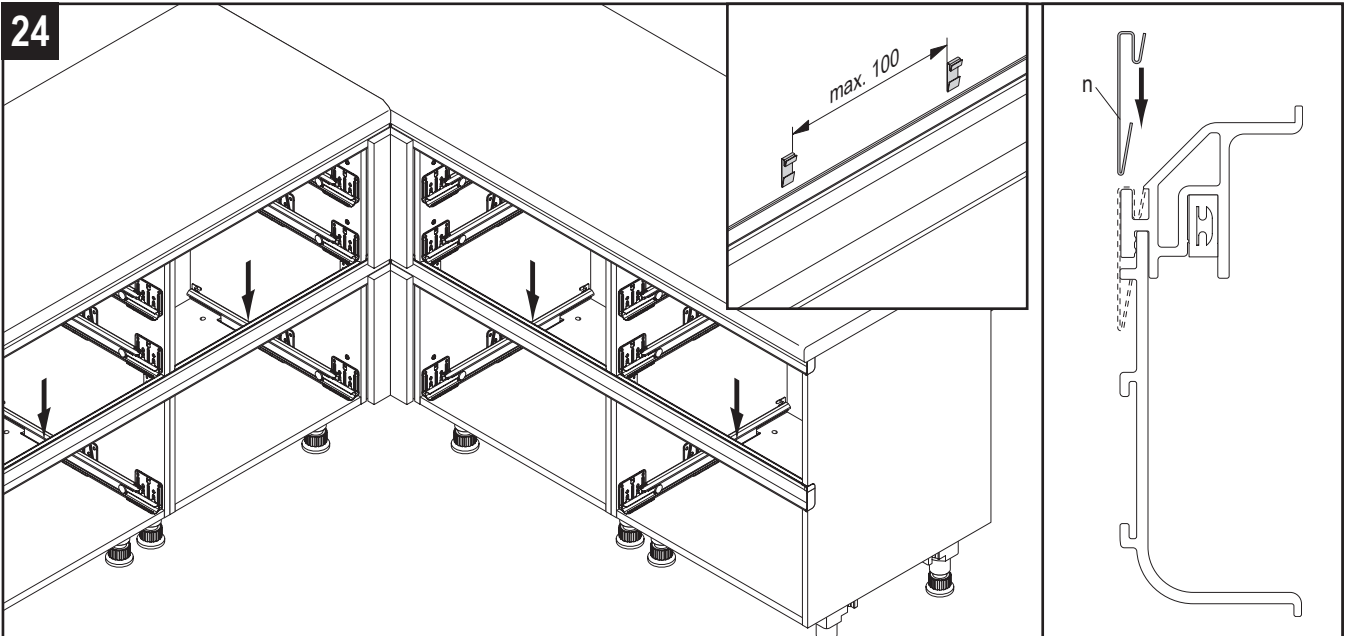
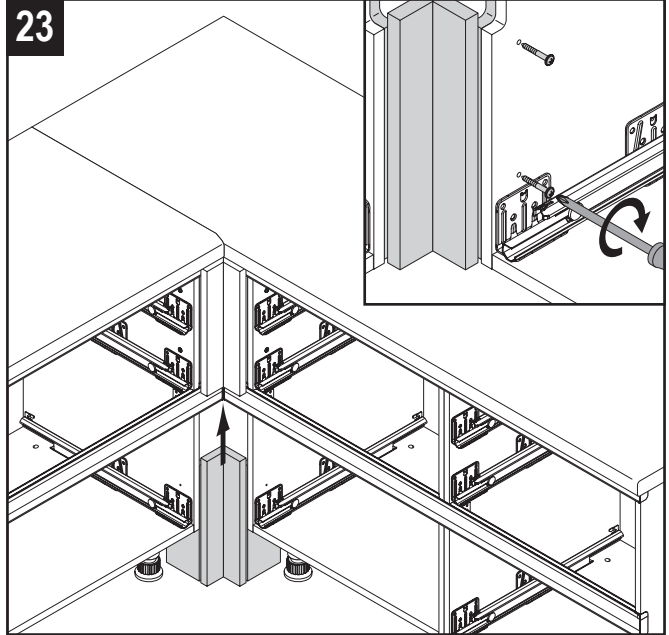
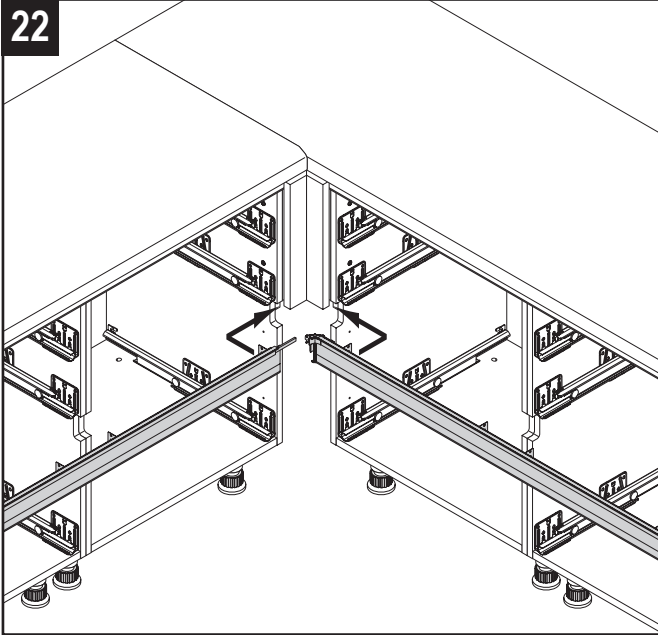
15

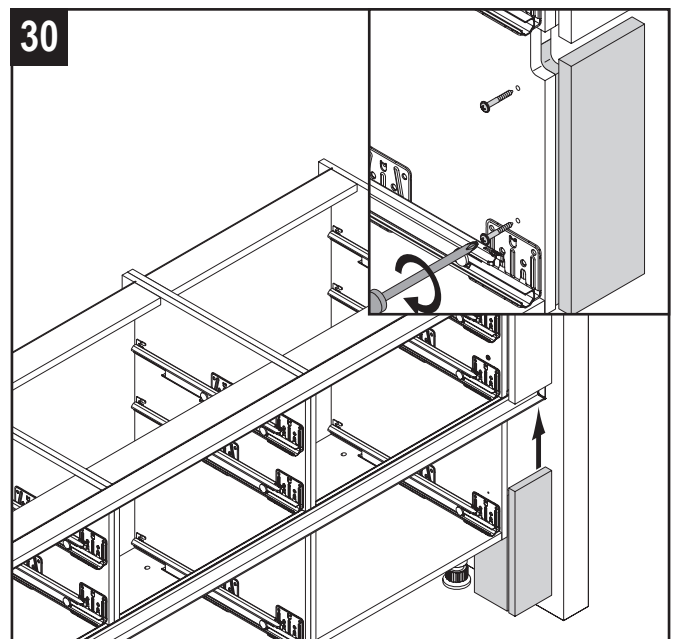
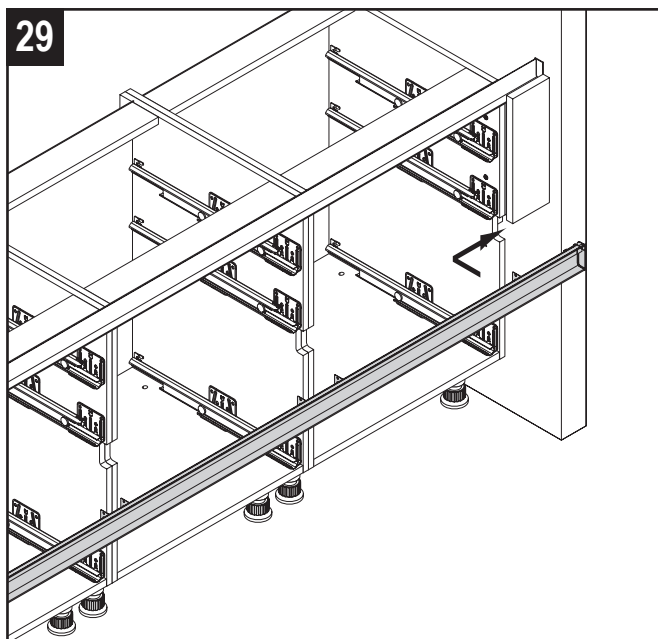
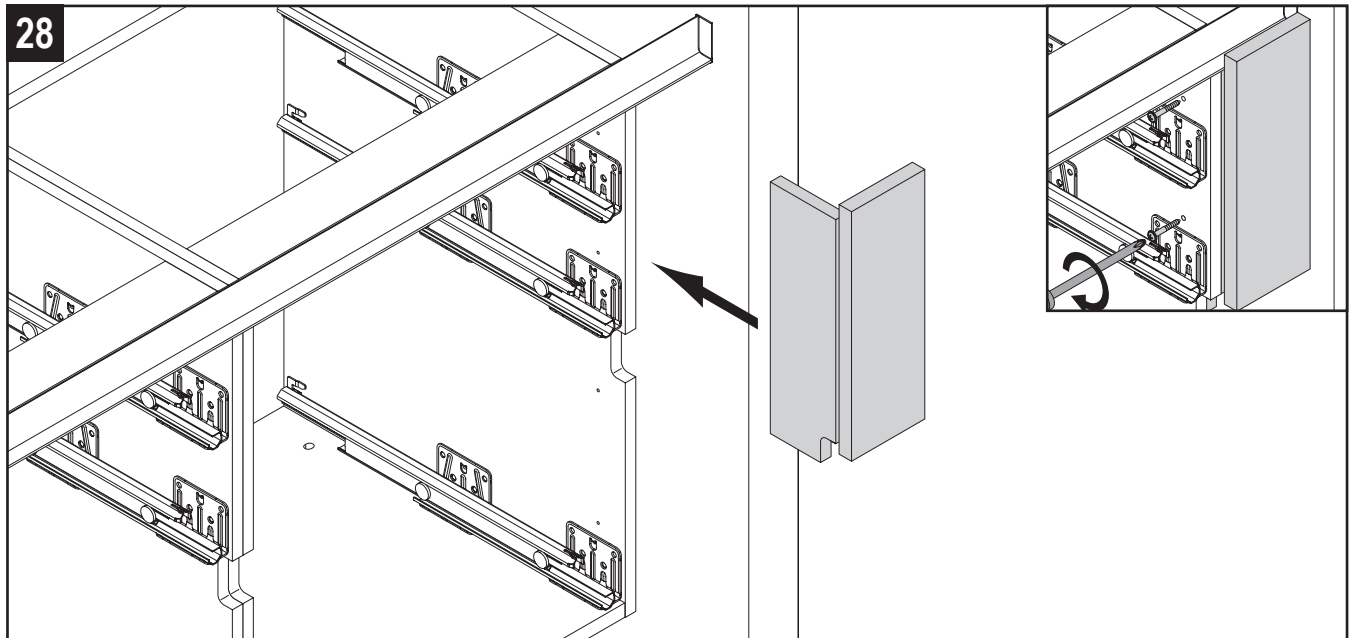
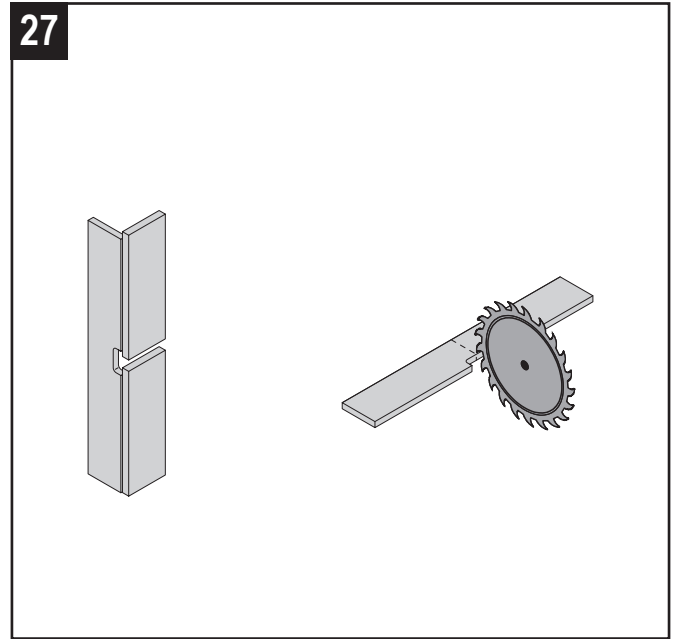
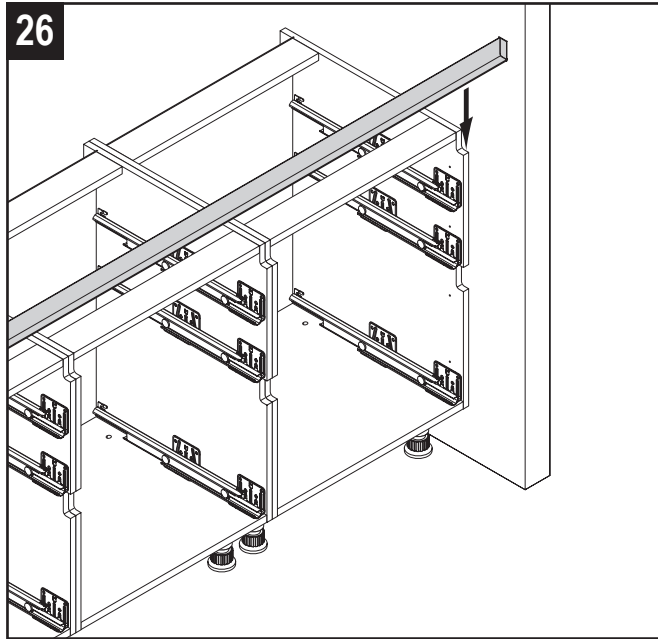


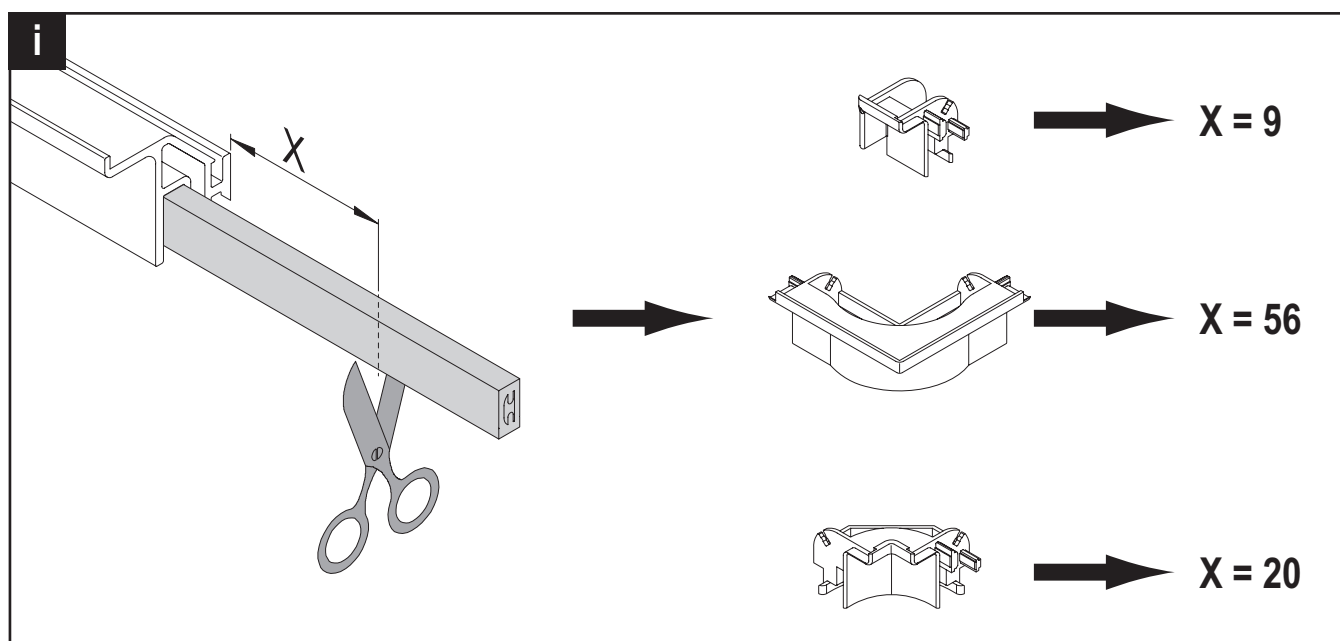
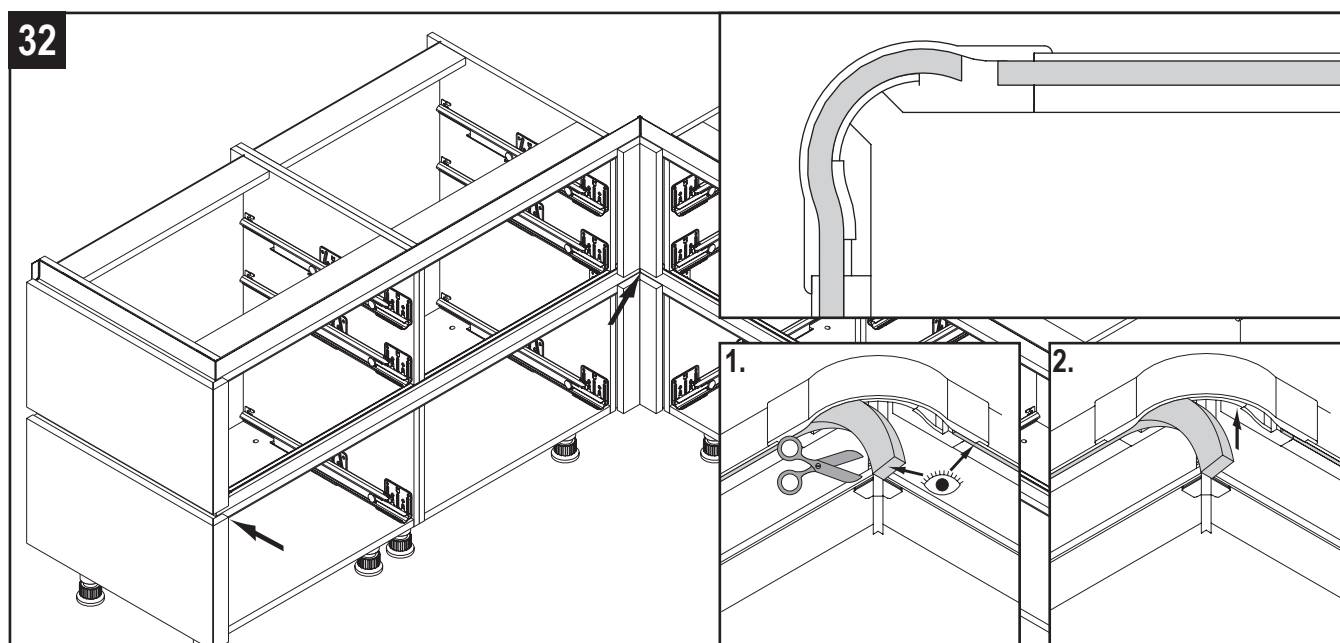
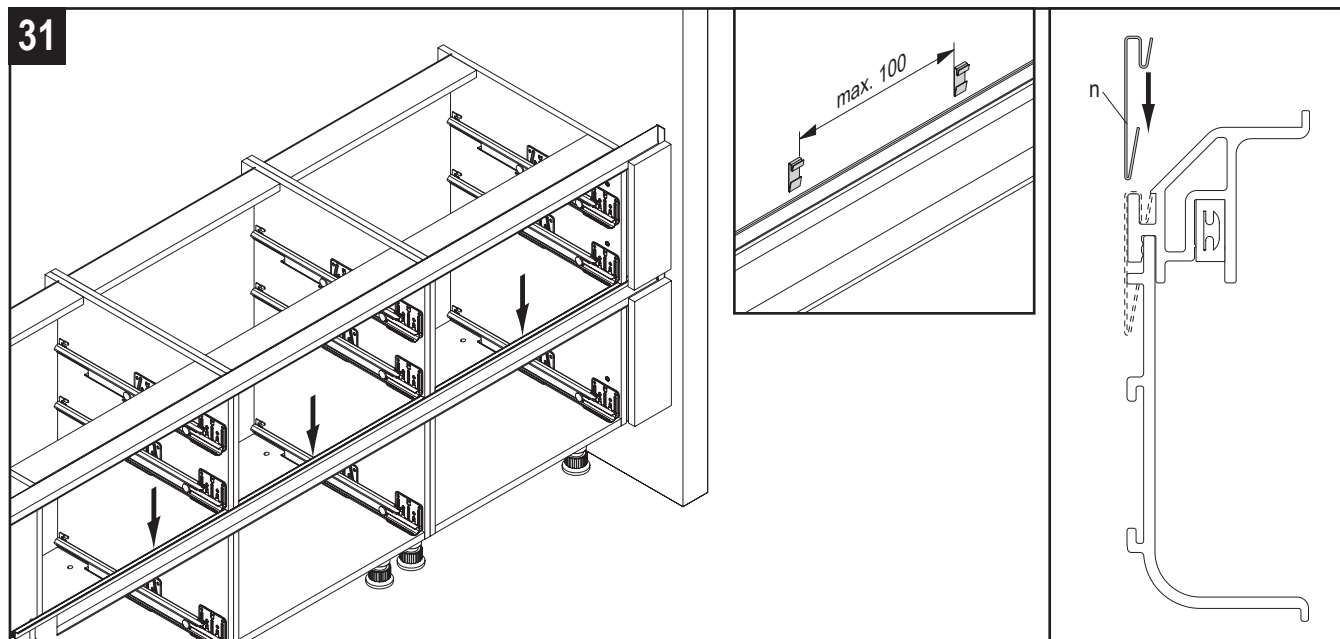
i



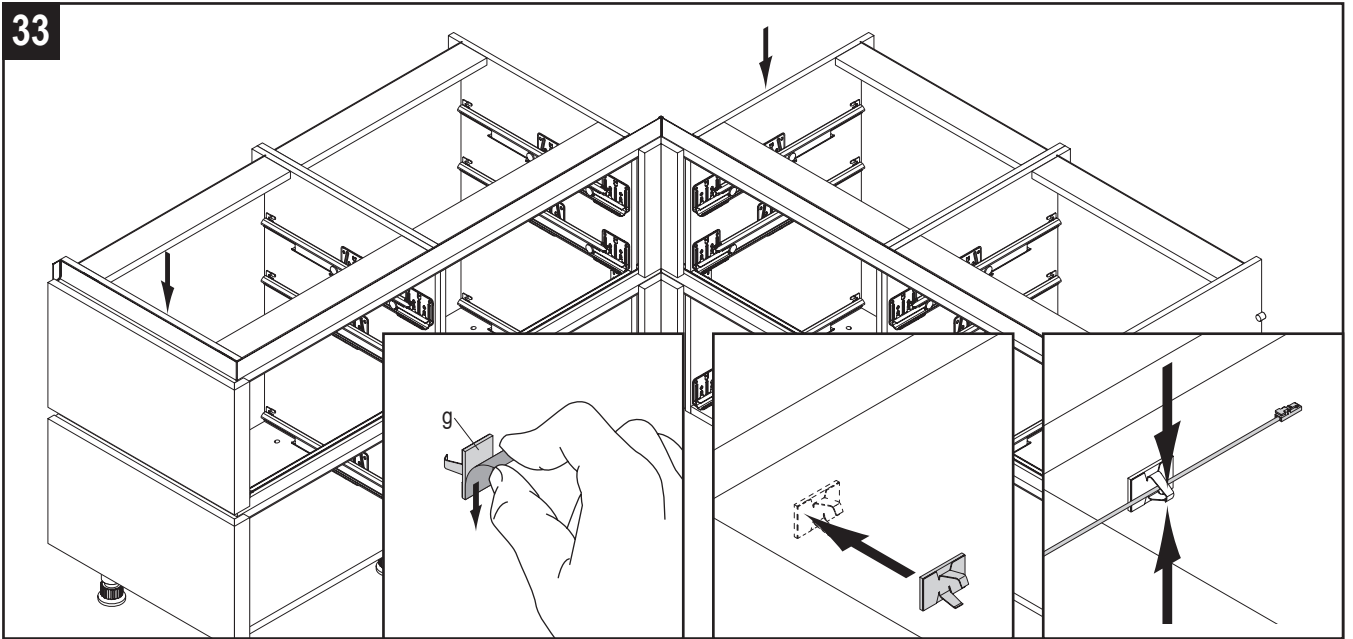




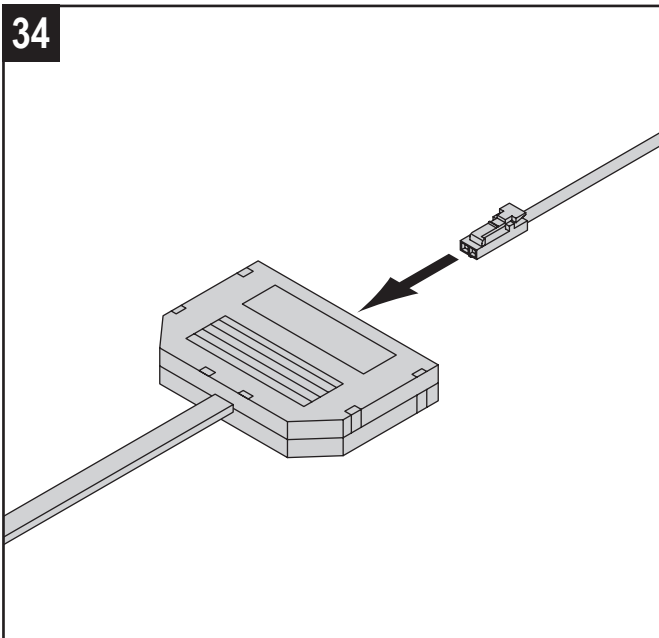




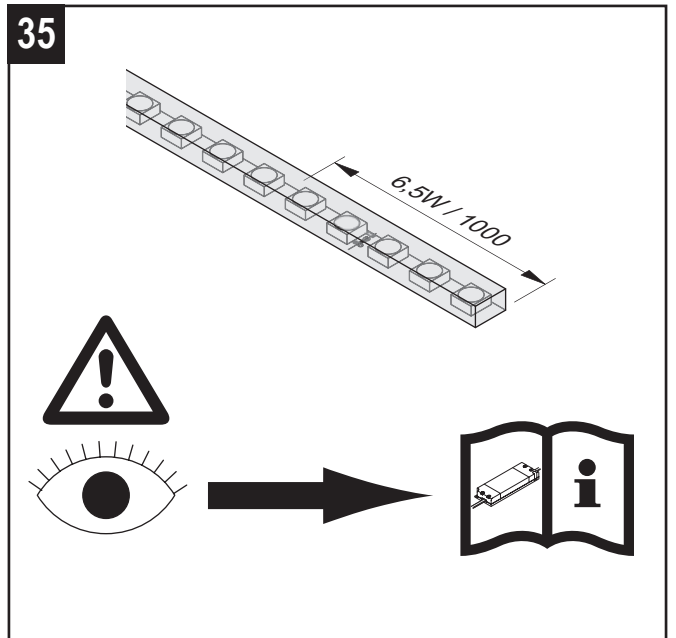
33



34



35



i

